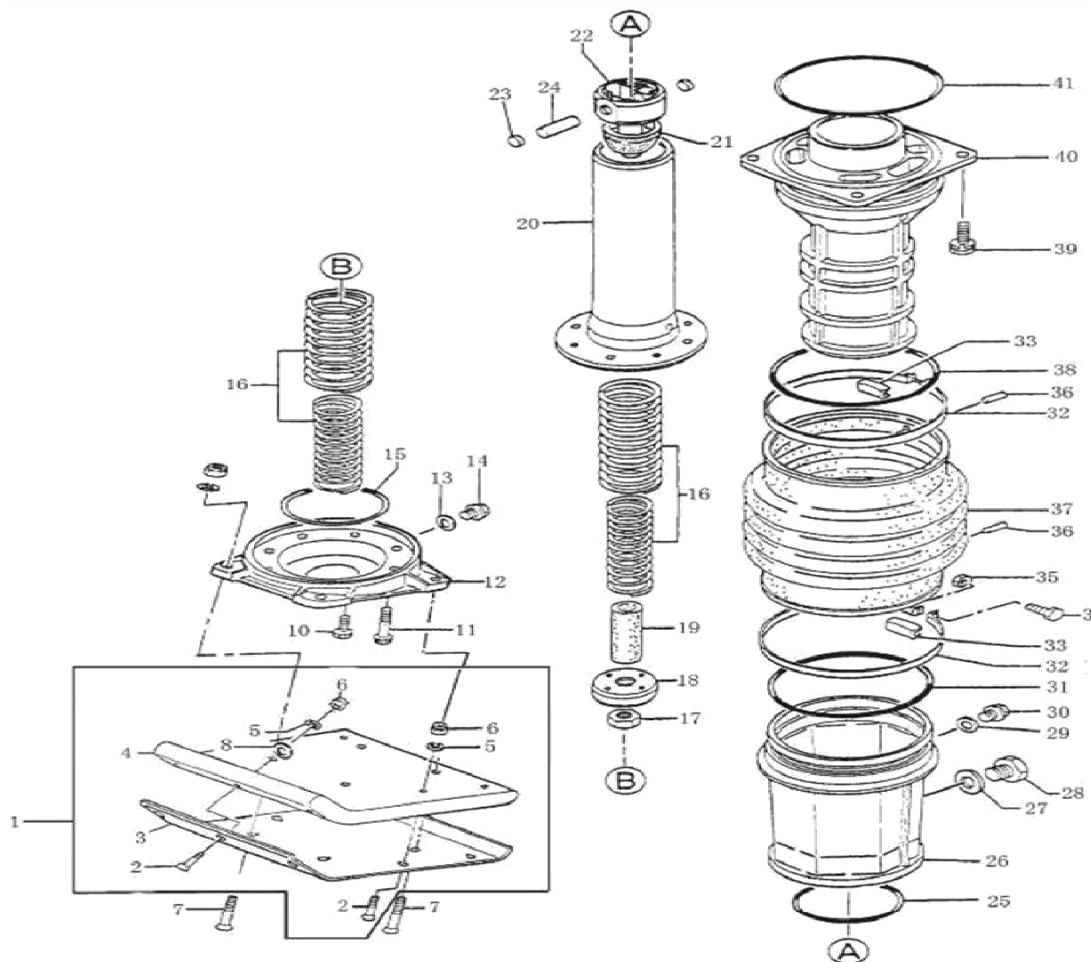




Pos. Cod Code	Descriere Description	€	Pos. Cod Code	Descriere Description	€	Pos. Cod Code	Descriere Description	€
1 BT0002278	Asamblu talpa mai compactor Foot Assy		28 BT0002274	Indicator ulei in baza mai compactor Level gauge, plug type		37 BT0001867	Burduf mai compactor MC Bellow	
2 BT0002890	Surub cap inecat M12x55 Sunk head bolt 12*55 H		29 BT0002275	Saiba Ø12 Packing φ12		38 BT0002277	O-ring Ø160x4 O ring 160*4	
3 BT0002279	Protectie metalica talpa mai compactor Metal sheet		30 BT0002276	Surub 1/4x14 13L Plug 1/4*14 13L		39 BT0002905	Surub M10x35 SW Bolt 10*35 H,SW	
4 BT0002280	Talpa plastic mai compactor Plastic Foot		31 BT0002277	O-ring Ø160x4 O ring 160*4		40 BT0002639	Piston picior MC75 Guide cylinder	
5 BT0002891	Saiba plata M12 Washer SW M12		32 BT0002518	Colier burduf MC (include 33,34,35,36) Bellows clamp (included 33,34,35,36)		41 BT0002390	O-ring Ø160x5.3 O-ring φ 160×5.3	
6 BT0002892	Piulita autoblocare M12 Nylon nut M12							
7 BT0002893	Surub cap inecat M12x70 Sunk head bolt 12*70 H							
8 BT0002891	Saiba plata M12 Washer SW φ12							
10 BT0002894	Surub M10x20T Socket head bolt 10*20T							
11 BT0002895	Surub M10x35T Socket head bolt 10*35T							
12 BT0002896	Flansa cilindru picior MC75 Foot plate							
13 BT0002897	Garnitura Cu Ø12 Packing φ12(CU)							
14 BT0002904	Surub ulei M12x1,25 Oil plug M12*1.25							
15 BT0002898	O-ring Ø90 O-ring G-90							
16 BT0001920	Set resort interior exterior 4 buc Main spring							
17 BT0002899	Piulita M18 Nut M18,P1.5							
18 BT0002900	Flansa cap piston MC75 Piston end							
19 BT0002388	Cilindru ghidaj amortizor Stopper lower							
20 BT0002351	Cilindru picior MC75 Spring cylinder							
21 BT0002901	Opritor superior Stopper upper							
22 BT0002902	Tija piston MC75 Piston rod kit							
23 BT0002389	Dop pentru bolt Nylon plug							
24 BT0002903	Bolt piston MC75 Piston pin							
25 BT0002272	O-ring Ø100x3,1 O-ring φ100×3.1							
26 BT0002242	Protectie cilindru MC75 Protection sleeve							
27 BT0002273	Saiba Cu Ø16 Copper packing φ16							

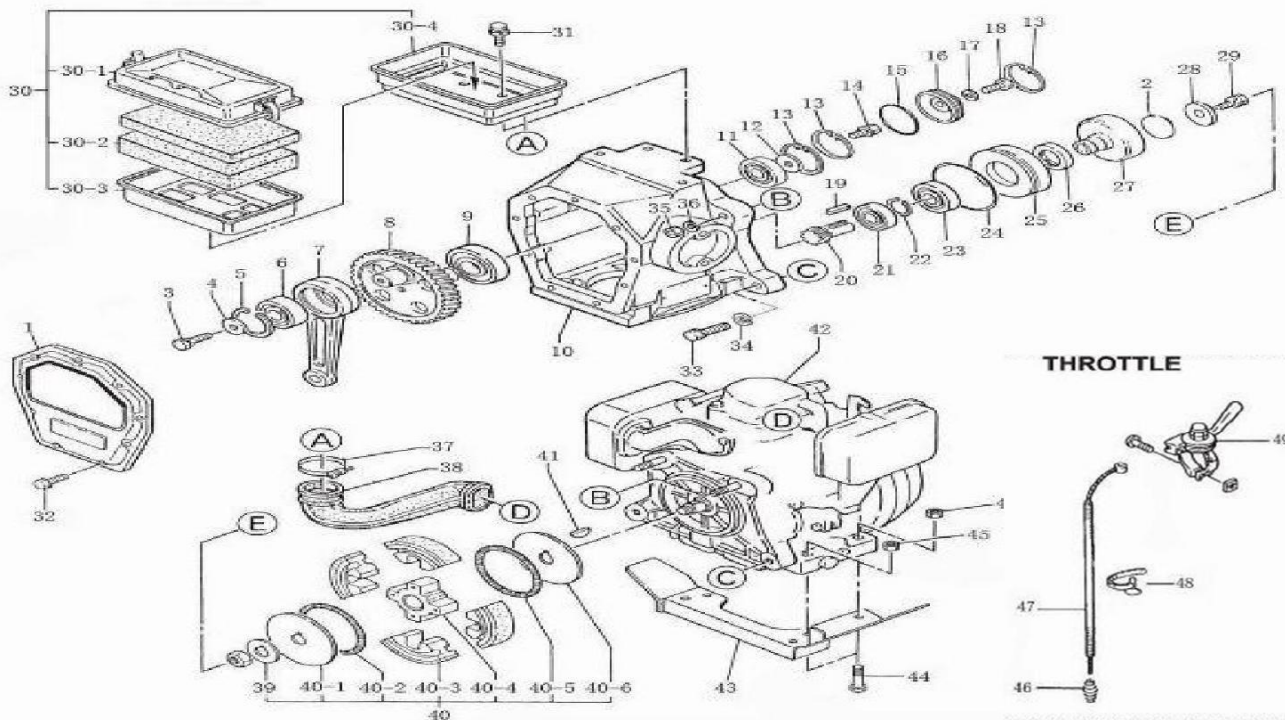




Pos. Cod Code	Descriere Description	€
1 BT0002391	Capac chiulasa MC75 Back of crankcase	
2 BT0002405	O-ring Ø22,4x2,65 O-ring φ22.4*2.65	
3 BT0002907	Surub M8x20 Bolt 8*20H,SW	
4 BT0002908	Saiba M8 Washer φ8	
5 BT0002392	Siguranta R-52 Stop ring R-52	
6 BT0001922	Rulment 6304 Bearing 6304	
7 BT0001921	Biela MC75 Connecting rod	
8 BT0002393	Roata dintata MC75 Gear wheel	
9 BT0001923	Rulment 6207 Bearing 6207	
10 BT0002909	Chiulasa MC75 Crank case	
11 BT0001924	Rulment 6204 Bearing 6204	
12 BT0002908	Saiba M8 Washer φ8	
13 BT0002394	Siguranta R-47 Stop ring R-47	
14 BT0002907	Surub M8x20 Bolt 8*20H,SW	
15 BT0002395	O-ring Ø43,7x1,8 O-ring φ43.7x1.8	
16 BT0002396	Capac rulment 6204 Bearing cover	
17 BT0002910	Piulita M8 Nut M8	
18 BT0002911	Surub M6x10 Bolt 6*10 T	
19 BT0002397	Pana 5x20 Flat keys*20	
20 BT0002398	Pinion Pinion	
21 BT0001924	Rulment 6204 Bearing 6204	
22 BT0002400	Siguranta S-35 Stop ring S-35	
23 BT0002401	Rulment 6007Z Bearing 6007Z	
24 BT0002402	O-ring G100 O-ring G-100	
25 BT0002403	Distantier Spacer	
26 BT0002404	Simering TC-40528 Oil seal TC-40528	

Pos. Code	Descriere Description	€
27 BT0001926	Carcasa ambreiaj MC75 Clutch drum	
28 BT0002406	Saiba capac Lock washer	
29 BT0002838	Surub M8x25 seria MC Bolt 8*25H,SW	
30 BT0002668	Ansamblu filtru aer MC75 Air cleaner assy	
31 BT0002838	Surub M8x25 seria MC	
32 BT0002912	Bolt 8*25H,SW Piulita M6x18	
33 BT0002913	Nut M6*18	
34 BT0002914	Surub M10x50 Hex bolt M10*50	
35 BT0002915	Saiba Ø10 Spring washer φ10	
37 BT0002917	Piulita autoblocare M10 Nylon nut M10 Colier Ø40 Hoop φ40	

Pos. Cod Code	Descriere Description	€
38 BT0002669	Racord filtru aer MC75 Syphon, air filter	
39 BT0002918	Saiba blocare ambreiaj Lock washer,clutch	
40 BT0001925	Ambreiaj MC75 Clutch assy C812E	
41 BT0002919	Pana ambreiaj Woodruff Key	
42 BT0002315	Motor Engine	
43 BT0002920	Suport motor MC75 Engine Plate	
44 BT0002921	Surub M8x40 Hex bolt M8*40	
45 BT0002922	Piulita autoblocare M8 Lock nut M8	
47 BT0001927	Cablu acceleratie MC75 Throttle wire	
49 BT0001928	Levier acceleratie MC75 Throttle lever	





Pos.	Cod Code	Descriere Description	€
1	BT0002923	Cadru MC75 Handle	
2	BT0002924	Rola cadru MC Roller handle	
3	BT0002925	Surub M5x25 Flange bolt 5*25 H	
4	BT0002926	Piulita M5 Flange nut	
5	BT0001929	Amortizor soc MC75 Shock absorber	
6-1	BT0002894	Surub M10x20T Shock head bolt 10*20 T	
6-2	BT0002927	Saiba zimtata M10 Tooth locked washer $\phi$ 10	
7	BT0002928	Surub M8x30 Bolt 8*30 T	
8	BT0002907	Surub M8x20 Hex Bolt M8*20	
9	BT0002929	Garnitura $\phi$ 8 Gasket $\phi$ 8	
10	BT0002349	Rezervor carburant MC75 Fuel tank	
11	BT0002922	Piulita autoblocare M8 Nylon nut M8	
12	BT0002408	Buson rezervor carburant MC75 Cap assy, tank	
13	BT0002930	O-ring $\phi$ 22,0x2,4 O-ring 22*2.4	
14	BT0002409	Garnitura teflon $\phi$ 18 ptfe washer $\phi$ 18	
15	BT0002410	Conector Cu rezervor carburant Copper connection	
16	BT0002411	Robinet rezervor carburant MC75 Fuel cock assy	
17	BT0002412	Colier furtun $\phi$ 9,5 Hose band 9.5D	
18	BT0002413	Furtun carburant Hose, fuel	
19	BT0002412	Colier furtun $\phi$ 9,5 Hose band 9.5D	

